

- U2 LED BRICK STEP LIGHT

INSTALLATION SHOULD BE CARRIED OUT BY YOUR LOCAL ELECTRICIAN.

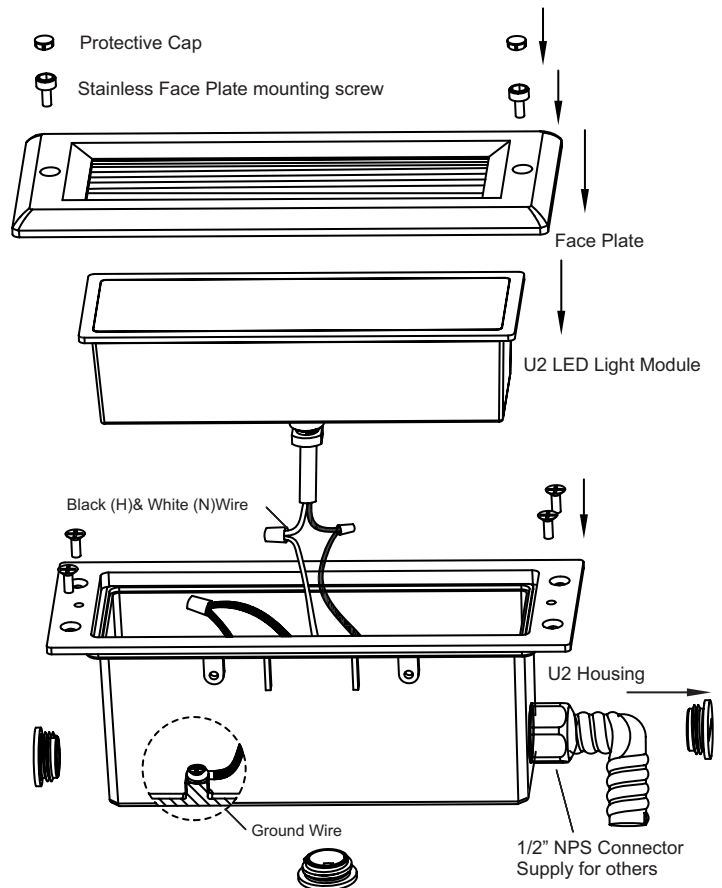
Caution:

- Always turn off power prior to installation or replacement
- Avoid contacting light source with flammable materials
- Do not cover step light with drapes, blankets, etc.
- Do not block ventilation, as overheating may occur
- Use only light emitting diodes for replacement

Read and Follow All Safety Instructions

1. Review the diagram thoroughly before beginning. If you feel you do not have electrical wiring experience, refer to a do-it-yourself wiring handbook or have your fixture installed by a qualified licensed electrician.
2. All electrical connections must be in accordance with local codes, ordinances, and the National Electric Code. If you are unfamiliar with methods of installation electrical wiring, consult the services of a qualified licensed electrician.
3. Before starting the installation, disconnect the power by turning off the circuit breaker or by removing the appropriate fuse at the fuse box.
4. Do not mount near gas or electrical heaters.
5. The use of accessory equipment is not recommended by the manufacturer and may cause an unsafe condition.
6. Do not use this equipment for other than intended use.
7. Qualified personnel should perform all servicing only.

Sample installation from Topview



Optional mounting method using Hanger Bar

