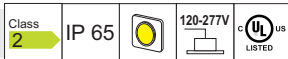


# U2 SERIES Brick | Step Lights

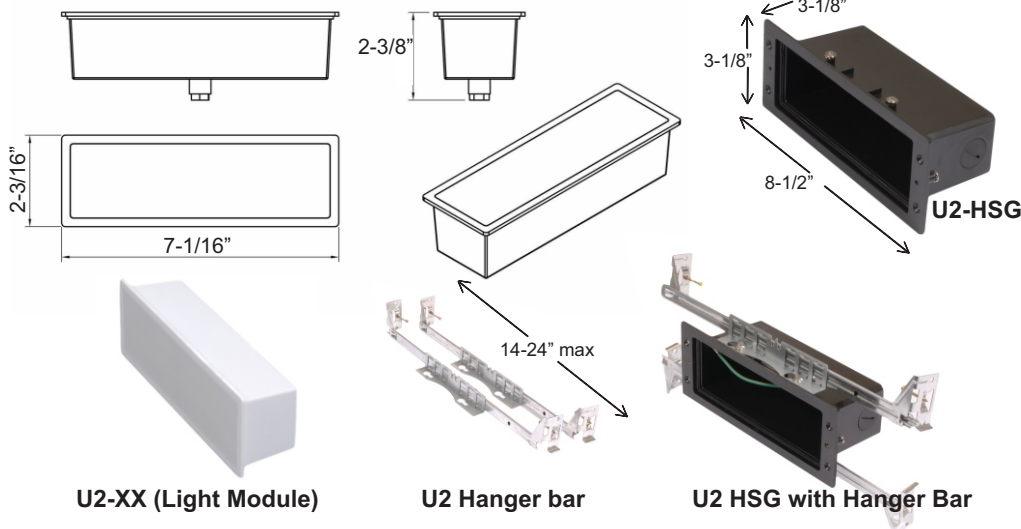


Catalog No. \_\_\_\_\_

Date \_\_\_\_\_

Type \_\_\_\_\_

Project \_\_\_\_\_



Trim Dimension  
3-1/4" H x 8-5/8" W x 3/8" D

Finishes  
 WH  SS  DB

## Trim Selection



U2-HS(Horizontal Shroud)



U2-PTL-(Horizontal Lens)



U2-HL (Horizontal Louver)

## SPECIFICATIONS & FEATURES

### Housing:

Energy efficient, compact LED Brick or Step Lights provide maintenance free illumination in excess of 50,000 hours. Suitable for interior and exterior applications. Light Module constructed of high impact, weather resistant polycarbonate. Compact size with Integral universal 100-277V driver for simple wiring and easy installation into recessed U2-HSG rough in housing. Housing allows wiring from center and side entry with feed-through power. Durable, die-cast zinc-magnesium trim plate in three styles and three finishes.

### Lamp & Electrical:

LED light module available in 3000K(WW), 4000K(NW), 5000K(CW), Amber and Blue color temperatures. 7" Wire leads length. Total wattage: 3.0 W @ 70mA. Electrical rating: 100-277V 50/60 Hz universal voltage, non-dimmable. 12V DC Class 2 using DC 12V power source. Emergency back up, with inverter system by others. Day light sensor by others.

### Mounting:

Product is IP-65 rated using U2-HSG die-cast zinc-magnesium housing into 7/8" x 2-5/8" x 2-3/4" deep cavity or use U2-Hanger bar to mount with metal or wooden framing.

### Warranty:

This complete LED Light fixture is covered by a full five (5) years replacement guarantee after day of purchase.

### Safety Listing:

C/US UL Listed for Wet & Dry locations.

### Ordering Information

**Example Order: U2 Brick/Step light with horizontal louver, 3000K in dark bronze finish with rough in housing.**

(A) LED Brick / Step Light Fixture 120V 3000K Color Temperature + (B) Trim Plate Finish + (C) Rough in housing

(A) U2-WW-UNI + (B) U1SGL-HL-DB + (C) U2-HSG